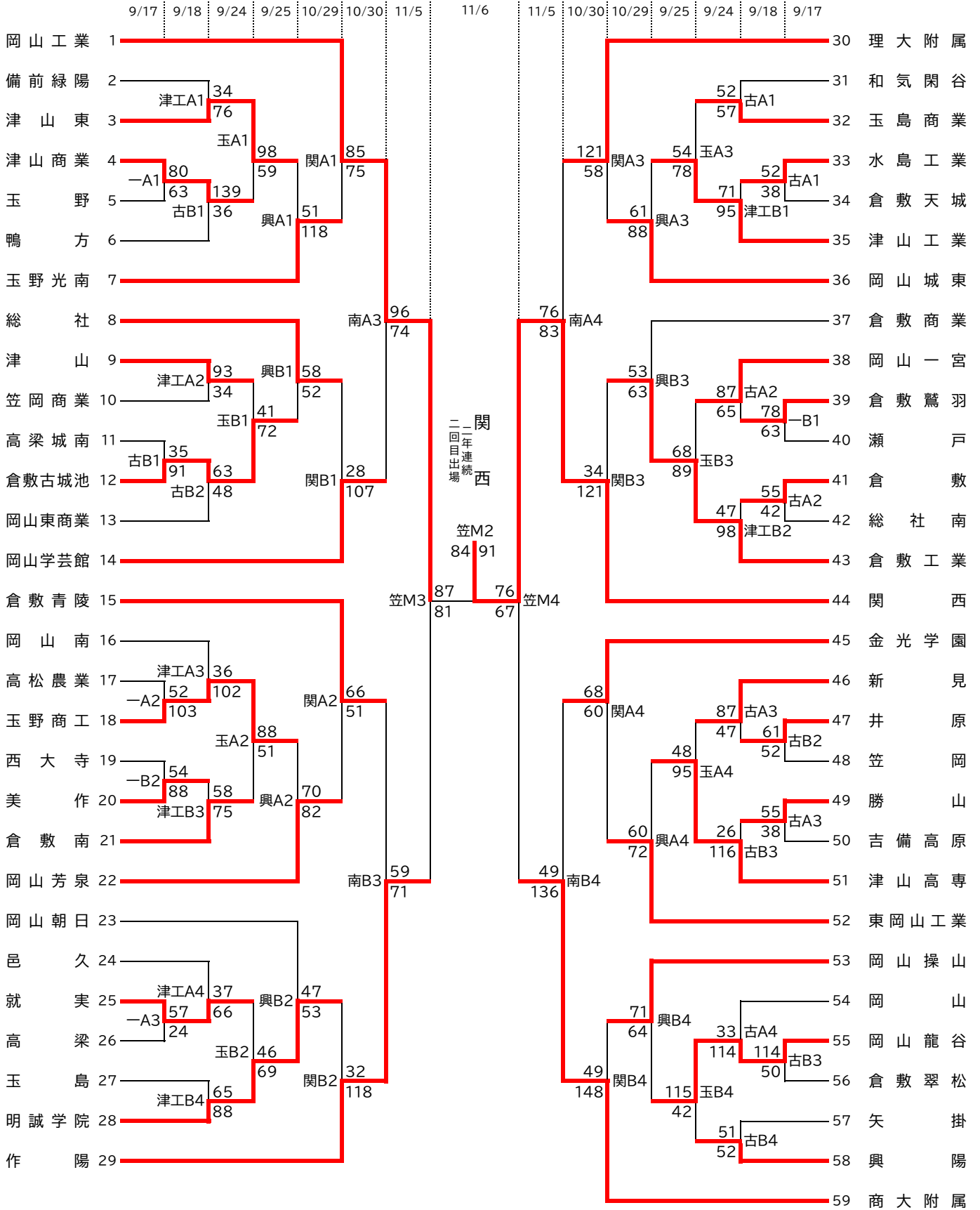


ウインターカップ2022 令和4年度 第75回全国高等学校バスケットボール選手権大会 岡山県予選会 組合せ
男子



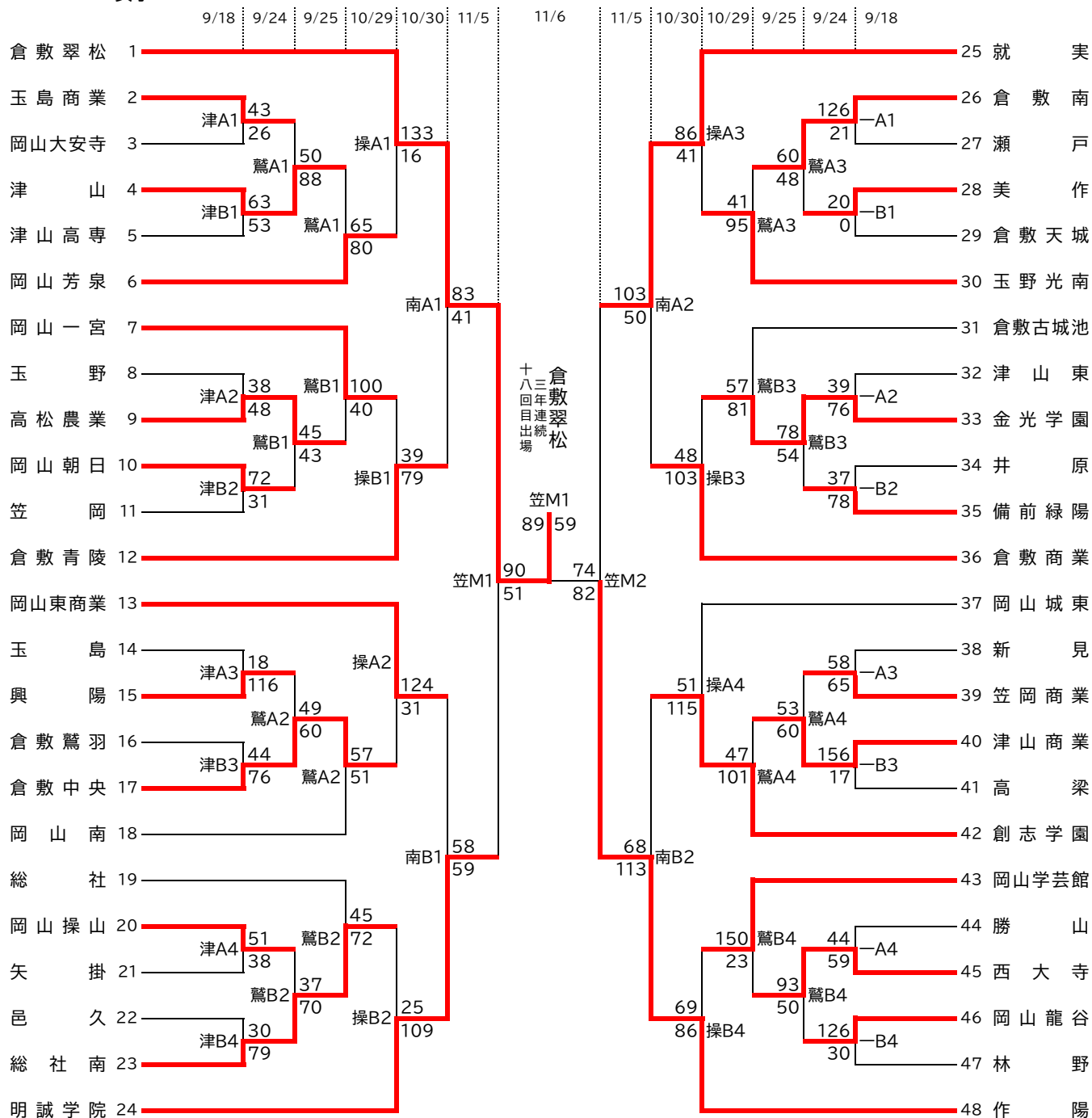
【試合会場】

9/17(土): (→→一宮、古→古城池)
 9/18(日): (→→一宮、古→古城池、津工→津山工業、津→津山)
 9/24(土): (玉→玉野、鷺→鷺羽)
 9/25(日): (興→興陽、鷺→鷺羽)
 10/29(土): (関→関西、操→操山)
 10/30(日): (南→岡山南)
 11/5(土)、6(日): (笠→笠岡総合体育館)

【試合時間】

| 9/17(土)~10/30(日) | 11/5(土) | 11/6(日) |
|------------------|---------|---------|
| 1 10:00 | 1 10:00 | 1 10:00 |
| 2 11:30 | 2 11:40 | 2 12:00 |
| 3 13:00 | 3 13:20 | |
| 4 14:30 | 4 15:00 | |

ウインターカップ2022 令和4年度 第75回全国高等学校バスケットボール選手権大会 岡山県予選会 組合せ
女子



【試合会場】

9/18(日):(一→一宮、古→古城池、津工→津山工業、津→津山)
9/24(土):(玉→玉野、鷺→鷺羽)
9/25(日):(興→興陽、鷺→鷺羽)
10/29(土):(関→関西、操→操山)
10/30(日):(南→岡山南)
11/5(土)、6(日):(笠→笠岡総合体育館)

【試合時間】

| 9/18(土)~10/30(日) | 11/5(土) | 11/6(日) |
|------------------|---------|---------|
| 1 10:00 | 1 10:00 | 1 10:00 |
| 2 11:30 | 2 11:40 | 2 12:00 |
| 3 13:00 | 3 13:20 | |
| 4 14:30 | 4 15:00 | |

ウインターカップ2022

令和4年度 第75回全国高等学校バスケットボール選手権大会 岡山県予選会

令和4年 9月17日(土)・・・県立岡山一宮高等学校、県立倉敷古城池高等学校

9月18日(日)・・・県立岡山一宮高等学校、県立倉敷古城池高等学校、
県立津山工業高等学校、県立津山高等学校

9月24日(土)・・・県立玉野高等学校、県立倉敷鷺羽高等学校

9月25日(日)・・・県立興陽高等学校、県立倉敷鷺羽高等学校

10月29日(土)・・・関西高等学校、県立岡山操山高等学校

10月30日(日)・・・県立岡山南高等学校

11月 5日(土)、6日(日)・・・笠岡総合体育館(MJ-T)

☆試合時間

9/17(土)~10/30(日) 1 10:00 2 11:30 3 13:00 4 14:30

11/ 5(土) 1 10:00 2 11:40 3 13:20 4 15:00

11/ 7(日) 1 10:00 (女子決勝) 2 12:00(男子決勝)

【 男 子 】

< 1 回 戦 >

| | | | | | | | | | | | | | | | | |
|--------|-----|--|-------|-------|-------|-------|-----|--------------|----|---|-------|-------|-------|-------|----|---------|
| ○ 津山商業 | 80 | <table border="1"><tr><td>14-16</td></tr><tr><td>28-21</td></tr><tr><td>18-12</td></tr><tr><td>20-14</td></tr></table> | 14-16 | 28-21 | 18-12 | 20-14 | 63 | 玉野 ● ● 高梁城南 | 35 | <table border="1"><tr><td>3-22</td></tr><tr><td>11-23</td></tr><tr><td>13-27</td></tr><tr><td>8-19</td></tr></table> | 3-22 | 11-23 | 13-27 | 8-19 | 91 | 倉敷古城池 ○ |
| 14-16 | | | | | | | | | | | | | | | | |
| 28-21 | | | | | | | | | | | | | | | | |
| 18-12 | | | | | | | | | | | | | | | | |
| 20-14 | | | | | | | | | | | | | | | | |
| 3-22 | | | | | | | | | | | | | | | | |
| 11-23 | | | | | | | | | | | | | | | | |
| 13-27 | | | | | | | | | | | | | | | | |
| 8-19 | | | | | | | | | | | | | | | | |
| ● 高松農業 | 52 | <table border="1"><tr><td>8-32</td></tr><tr><td>12-20</td></tr><tr><td>14-31</td></tr><tr><td>18-20</td></tr></table> | 8-32 | 12-20 | 14-31 | 18-20 | 103 | 玉野商工 ○ ● 西大寺 | 54 | <table border="1"><tr><td>14-26</td></tr><tr><td>7-24</td></tr><tr><td>11-15</td></tr><tr><td>22-23</td></tr></table> | 14-26 | 7-24 | 11-15 | 22-23 | 88 | 美作 ○ |
| 8-32 | | | | | | | | | | | | | | | | |
| 12-20 | | | | | | | | | | | | | | | | |
| 14-31 | | | | | | | | | | | | | | | | |
| 18-20 | | | | | | | | | | | | | | | | |
| 14-26 | | | | | | | | | | | | | | | | |
| 7-24 | | | | | | | | | | | | | | | | |
| 11-15 | | | | | | | | | | | | | | | | |
| 22-23 | | | | | | | | | | | | | | | | |
| ○ 就実 | 57 | <table border="1"><tr><td>11-9</td></tr><tr><td>14-4</td></tr><tr><td>20-7</td></tr><tr><td>12-4</td></tr></table> | 11-9 | 14-4 | 20-7 | 12-4 | 24 | 高梁 ● ○ 水島工業 | 52 | <table border="1"><tr><td>6-11</td></tr><tr><td>12-3</td></tr><tr><td>15-6</td></tr><tr><td>19-18</td></tr></table> | 6-11 | 12-3 | 15-6 | 19-18 | 38 | 倉敷天城 ● |
| 11-9 | | | | | | | | | | | | | | | | |
| 14-4 | | | | | | | | | | | | | | | | |
| 20-7 | | | | | | | | | | | | | | | | |
| 12-4 | | | | | | | | | | | | | | | | |
| 6-11 | | | | | | | | | | | | | | | | |
| 12-3 | | | | | | | | | | | | | | | | |
| 15-6 | | | | | | | | | | | | | | | | |
| 19-18 | | | | | | | | | | | | | | | | |
| ○ 倉敷鷺羽 | 78 | <table border="1"><tr><td>11-9</td></tr><tr><td>16-22</td></tr><tr><td>20-19</td></tr><tr><td>31-13</td></tr></table> | 11-9 | 16-22 | 20-19 | 31-13 | 63 | 瀬戸 ● ○ 倉敷 | 55 | <table border="1"><tr><td>10-14</td></tr><tr><td>17-9</td></tr><tr><td>8-11</td></tr><tr><td>20-8</td></tr></table> | 10-14 | 17-9 | 8-11 | 20-8 | 42 | 総社南 ● |
| 11-9 | | | | | | | | | | | | | | | | |
| 16-22 | | | | | | | | | | | | | | | | |
| 20-19 | | | | | | | | | | | | | | | | |
| 31-13 | | | | | | | | | | | | | | | | |
| 10-14 | | | | | | | | | | | | | | | | |
| 17-9 | | | | | | | | | | | | | | | | |
| 8-11 | | | | | | | | | | | | | | | | |
| 20-8 | | | | | | | | | | | | | | | | |
| ○ 井原 | 61 | <table border="1"><tr><td>13-16</td></tr><tr><td>10-15</td></tr><tr><td>21-14</td></tr><tr><td>17-7</td></tr></table> | 13-16 | 10-15 | 21-14 | 17-7 | 52 | 笠岡 ● ○ 勝山 | 55 | <table border="1"><tr><td>12-5</td></tr><tr><td>15-7</td></tr><tr><td>17-14</td></tr><tr><td>11-12</td></tr></table> | 12-5 | 15-7 | 17-14 | 11-12 | 38 | 吉備高原 ● |
| 13-16 | | | | | | | | | | | | | | | | |
| 10-15 | | | | | | | | | | | | | | | | |
| 21-14 | | | | | | | | | | | | | | | | |
| 17-7 | | | | | | | | | | | | | | | | |
| 12-5 | | | | | | | | | | | | | | | | |
| 15-7 | | | | | | | | | | | | | | | | |
| 17-14 | | | | | | | | | | | | | | | | |
| 11-12 | | | | | | | | | | | | | | | | |
| ○ 岡山龍谷 | 114 | <table border="1"><tr><td>33-4</td></tr><tr><td>25-16</td></tr><tr><td>18-8</td></tr><tr><td>38-22</td></tr></table> | 33-4 | 25-16 | 18-8 | 38-22 | 50 | 倉敷翠松 ● | | | | | | | | |
| 33-4 | | | | | | | | | | | | | | | | |
| 25-16 | | | | | | | | | | | | | | | | |
| 18-8 | | | | | | | | | | | | | | | | |
| 38-22 | | | | | | | | | | | | | | | | |

< 2 回 戦 >

| | | | | | | | | | | | | | | | | |
|--------|----|--|-------|-------|-------|-------|-----|----------------|-----|--|-------|-------|-------|-------|----|---------|
| ● 備前緑陽 | 34 | <table border="1"><tr><td>7-25</td></tr><tr><td>14-23</td></tr><tr><td>8-18</td></tr><tr><td>5-10</td></tr></table> | 7-25 | 14-23 | 8-18 | 5-10 | 76 | 津山東 ○ ○ 津山商業 | 139 | <table border="1"><tr><td>37-8</td></tr><tr><td>26-4</td></tr><tr><td>40-19</td></tr><tr><td>36-5</td></tr></table> | 37-8 | 26-4 | 40-19 | 36-5 | 36 | 鴨方 ● |
| 7-25 | | | | | | | | | | | | | | | | |
| 14-23 | | | | | | | | | | | | | | | | |
| 8-18 | | | | | | | | | | | | | | | | |
| 5-10 | | | | | | | | | | | | | | | | |
| 37-8 | | | | | | | | | | | | | | | | |
| 26-4 | | | | | | | | | | | | | | | | |
| 40-19 | | | | | | | | | | | | | | | | |
| 36-5 | | | | | | | | | | | | | | | | |
| ○ 津山 | 93 | <table border="1"><tr><td>24-4</td></tr><tr><td>22-3</td></tr><tr><td>23-14</td></tr><tr><td>24-13</td></tr></table> | 24-4 | 22-3 | 23-14 | 24-13 | 34 | 笠岡商業 ● ○ 倉敷古城池 | 63 | <table border="1"><tr><td>18-6</td></tr><tr><td>15-14</td></tr><tr><td>15-14</td></tr><tr><td>15-14</td></tr></table> | 18-6 | 15-14 | 15-14 | 15-14 | 48 | 岡山東商業 ● |
| 24-4 | | | | | | | | | | | | | | | | |
| 22-3 | | | | | | | | | | | | | | | | |
| 23-14 | | | | | | | | | | | | | | | | |
| 24-13 | | | | | | | | | | | | | | | | |
| 18-6 | | | | | | | | | | | | | | | | |
| 15-14 | | | | | | | | | | | | | | | | |
| 15-14 | | | | | | | | | | | | | | | | |
| 15-14 | | | | | | | | | | | | | | | | |
| ● 岡山南 | 36 | <table border="1"><tr><td>14-19</td></tr><tr><td>5-28</td></tr><tr><td>13-26</td></tr><tr><td>4-29</td></tr></table> | 14-19 | 5-28 | 13-26 | 4-29 | 102 | 玉野商工 ○ ● 美作 | 58 | <table border="1"><tr><td>13-18</td></tr><tr><td>12-21</td></tr><tr><td>14-22</td></tr><tr><td>19-14</td></tr></table> | 13-18 | 12-21 | 14-22 | 19-14 | 75 | 倉敷南 ○ |
| 14-19 | | | | | | | | | | | | | | | | |
| 5-28 | | | | | | | | | | | | | | | | |
| 13-26 | | | | | | | | | | | | | | | | |
| 4-29 | | | | | | | | | | | | | | | | |
| 13-18 | | | | | | | | | | | | | | | | |
| 12-21 | | | | | | | | | | | | | | | | |
| 14-22 | | | | | | | | | | | | | | | | |
| 19-14 | | | | | | | | | | | | | | | | |
| ● 邑久 | 37 | <table border="1"><tr><td>9-24</td></tr><tr><td>8-14</td></tr><tr><td>7-9</td></tr><tr><td>13-19</td></tr></table> | 9-24 | 8-14 | 7-9 | 13-19 | 66 | 就実 ○ ● 玉島 | 65 | <table border="1"><tr><td>15-20</td></tr><tr><td>25-19</td></tr><tr><td>13-26</td></tr><tr><td>12-23</td></tr></table> | 15-20 | 25-19 | 13-26 | 12-23 | 88 | 明誠学院 ○ |
| 9-24 | | | | | | | | | | | | | | | | |
| 8-14 | | | | | | | | | | | | | | | | |
| 7-9 | | | | | | | | | | | | | | | | |
| 13-19 | | | | | | | | | | | | | | | | |
| 15-20 | | | | | | | | | | | | | | | | |
| 25-19 | | | | | | | | | | | | | | | | |
| 13-26 | | | | | | | | | | | | | | | | |
| 12-23 | | | | | | | | | | | | | | | | |

| | | | | | | | | | | | | | | | | | |
|--------|----|--|-------|-------|-------|-------|-----|--------|--------|----|--|-------|-------|-------|-------|-----|--------|
| ● 和気閑谷 | 52 | <table border="1"><tr><td>13-11</td></tr><tr><td>10-12</td></tr><tr><td>20-19</td></tr><tr><td>9-15</td></tr></table> | 13-11 | 10-12 | 20-19 | 9-15 | 57 | 玉島商業 ○ | ● 水島工業 | 71 | <table border="1"><tr><td>9-8</td></tr><tr><td>15-29</td></tr><tr><td>17-33</td></tr><tr><td>30-25</td></tr></table> | 9-8 | 15-29 | 17-33 | 30-25 | 95 | 津山工業 ○ |
| 13-11 | | | | | | | | | | | | | | | | | |
| 10-12 | | | | | | | | | | | | | | | | | |
| 20-19 | | | | | | | | | | | | | | | | | |
| 9-15 | | | | | | | | | | | | | | | | | |
| 9-8 | | | | | | | | | | | | | | | | | |
| 15-29 | | | | | | | | | | | | | | | | | |
| 17-33 | | | | | | | | | | | | | | | | | |
| 30-25 | | | | | | | | | | | | | | | | | |
| ○ 岡山一宮 | 87 | <table border="1"><tr><td>16-16</td></tr><tr><td>22-10</td></tr><tr><td>30-14</td></tr><tr><td>19-25</td></tr></table> | 16-16 | 22-10 | 30-14 | 19-25 | 65 | 倉敷鷺羽 ● | ● 倉敷 | 47 | <table border="1"><tr><td>8-23</td></tr><tr><td>16-22</td></tr><tr><td>8-33</td></tr><tr><td>15-20</td></tr></table> | 8-23 | 16-22 | 8-33 | 15-20 | 98 | 倉敷工業 ○ |
| 16-16 | | | | | | | | | | | | | | | | | |
| 22-10 | | | | | | | | | | | | | | | | | |
| 30-14 | | | | | | | | | | | | | | | | | |
| 19-25 | | | | | | | | | | | | | | | | | |
| 8-23 | | | | | | | | | | | | | | | | | |
| 16-22 | | | | | | | | | | | | | | | | | |
| 8-33 | | | | | | | | | | | | | | | | | |
| 15-20 | | | | | | | | | | | | | | | | | |
| ○ 新見 | 87 | <table border="1"><tr><td>14-6</td></tr><tr><td>26-15</td></tr><tr><td>26-22</td></tr><tr><td>21-4</td></tr></table> | 14-6 | 26-15 | 26-22 | 21-4 | 47 | 井原 ● | ● 勝山 | 26 | <table border="1"><tr><td>4-32</td></tr><tr><td>7-29</td></tr><tr><td>7-29</td></tr><tr><td>8-26</td></tr></table> | 4-32 | 7-29 | 7-29 | 8-26 | 116 | 津山高専 ○ |
| 14-6 | | | | | | | | | | | | | | | | | |
| 26-15 | | | | | | | | | | | | | | | | | |
| 26-22 | | | | | | | | | | | | | | | | | |
| 21-4 | | | | | | | | | | | | | | | | | |
| 4-32 | | | | | | | | | | | | | | | | | |
| 7-29 | | | | | | | | | | | | | | | | | |
| 7-29 | | | | | | | | | | | | | | | | | |
| 8-26 | | | | | | | | | | | | | | | | | |
| ● 岡山 | 33 | <table border="1"><tr><td>4-37</td></tr><tr><td>13-18</td></tr><tr><td>10-26</td></tr><tr><td>6-33</td></tr></table> | 4-37 | 13-18 | 10-26 | 6-33 | 114 | 岡山龍谷 ○ | ● 矢掛 | 51 | <table border="1"><tr><td>17-20</td></tr><tr><td>7-14</td></tr><tr><td>9-12</td></tr><tr><td>18-6</td></tr></table> | 17-20 | 7-14 | 9-12 | 18-6 | 52 | 興陽 ○ |
| 4-37 | | | | | | | | | | | | | | | | | |
| 13-18 | | | | | | | | | | | | | | | | | |
| 10-26 | | | | | | | | | | | | | | | | | |
| 6-33 | | | | | | | | | | | | | | | | | |
| 17-20 | | | | | | | | | | | | | | | | | |
| 7-14 | | | | | | | | | | | | | | | | | |
| 9-12 | | | | | | | | | | | | | | | | | |
| 18-6 | | | | | | | | | | | | | | | | | |

< 3 回 戦 >

| | | | | | | | | | | | | | | | | | |
|--------|----|--|-------|-------|-------|-------|----|--------|--------|-----|--|-------|-------|-------|-------|----|---------|
| ○ 津山東 | 98 | <table border="1"><tr><td>25-18</td></tr><tr><td>22-17</td></tr><tr><td>29-13</td></tr><tr><td>22-11</td></tr></table> | 25-18 | 22-17 | 29-13 | 22-11 | 59 | 津山商業 ● | ● 津山 | 41 | <table border="1"><tr><td>12-15</td></tr><tr><td>12-20</td></tr><tr><td>9-19</td></tr><tr><td>8-18</td></tr></table> | 12-15 | 12-20 | 9-19 | 8-18 | 72 | 倉敷古城池 ○ |
| 25-18 | | | | | | | | | | | | | | | | | |
| 22-17 | | | | | | | | | | | | | | | | | |
| 29-13 | | | | | | | | | | | | | | | | | |
| 22-11 | | | | | | | | | | | | | | | | | |
| 12-15 | | | | | | | | | | | | | | | | | |
| 12-20 | | | | | | | | | | | | | | | | | |
| 9-19 | | | | | | | | | | | | | | | | | |
| 8-18 | | | | | | | | | | | | | | | | | |
| ○ 玉野商工 | 88 | <table border="1"><tr><td>14-17</td></tr><tr><td>18-9</td></tr><tr><td>27-12</td></tr><tr><td>29-13</td></tr></table> | 14-17 | 18-9 | 27-12 | 29-13 | 51 | 倉敷南 ● | ● 就実 | 46 | <table border="1"><tr><td>10-13</td></tr><tr><td>12-13</td></tr><tr><td>16-19</td></tr><tr><td>8-24</td></tr></table> | 10-13 | 12-13 | 16-19 | 8-24 | 69 | 明誠学院 ○ |
| 14-17 | | | | | | | | | | | | | | | | | |
| 18-9 | | | | | | | | | | | | | | | | | |
| 27-12 | | | | | | | | | | | | | | | | | |
| 29-13 | | | | | | | | | | | | | | | | | |
| 10-13 | | | | | | | | | | | | | | | | | |
| 12-13 | | | | | | | | | | | | | | | | | |
| 16-19 | | | | | | | | | | | | | | | | | |
| 8-24 | | | | | | | | | | | | | | | | | |
| ● 玉島商業 | 54 | <table border="1"><tr><td>8-16</td></tr><tr><td>8-28</td></tr><tr><td>19-19</td></tr><tr><td>19-15</td></tr></table> | 8-16 | 8-28 | 19-19 | 19-15 | 78 | 津山工業 ○ | ● 岡山一宮 | 68 | <table border="1"><tr><td>20-22</td></tr><tr><td>16-25</td></tr><tr><td>18-20</td></tr><tr><td>14-22</td></tr></table> | 20-22 | 16-25 | 18-20 | 14-22 | 89 | 倉敷工業 ○ |
| 8-16 | | | | | | | | | | | | | | | | | |
| 8-28 | | | | | | | | | | | | | | | | | |
| 19-19 | | | | | | | | | | | | | | | | | |
| 19-15 | | | | | | | | | | | | | | | | | |
| 20-22 | | | | | | | | | | | | | | | | | |
| 16-25 | | | | | | | | | | | | | | | | | |
| 18-20 | | | | | | | | | | | | | | | | | |
| 14-22 | | | | | | | | | | | | | | | | | |
| ● 新見 | 48 | <table border="1"><tr><td>6-33</td></tr><tr><td>2-21</td></tr><tr><td>19-28</td></tr><tr><td>21-13</td></tr></table> | 6-33 | 2-21 | 19-28 | 21-13 | 95 | 津山高専 ○ | ○ 岡山龍谷 | 115 | <table border="1"><tr><td>26-10</td></tr><tr><td>24-10</td></tr><tr><td>39-12</td></tr><tr><td>26-10</td></tr></table> | 26-10 | 24-10 | 39-12 | 26-10 | 42 | 興陽 ● |
| 6-33 | | | | | | | | | | | | | | | | | |
| 2-21 | | | | | | | | | | | | | | | | | |
| 19-28 | | | | | | | | | | | | | | | | | |
| 21-13 | | | | | | | | | | | | | | | | | |
| 26-10 | | | | | | | | | | | | | | | | | |
| 24-10 | | | | | | | | | | | | | | | | | |
| 39-12 | | | | | | | | | | | | | | | | | |
| 26-10 | | | | | | | | | | | | | | | | | |

< 4 回 戦 >

| | | | | | | | | | | | | | | | | | |
|--------|----|--|-------|-------|-------|-------|-----|---------|--------|----|--|-------|-------|-------|-------|----|---------|
| ● 津山東 | 51 | <table border="1"><tr><td>11-42</td></tr><tr><td>8-23</td></tr><tr><td>14-36</td></tr><tr><td>18-17</td></tr></table> | 11-42 | 8-23 | 14-36 | 18-17 | 118 | 玉野光南 ○ | ○ 総社 | 58 | <table border="1"><tr><td>13-13</td></tr><tr><td>14-14</td></tr><tr><td>14-14</td></tr><tr><td>17-11</td></tr></table> | 13-13 | 14-14 | 14-14 | 17-11 | 52 | 倉敷古城池 ● |
| 11-42 | | | | | | | | | | | | | | | | | |
| 8-23 | | | | | | | | | | | | | | | | | |
| 14-36 | | | | | | | | | | | | | | | | | |
| 18-17 | | | | | | | | | | | | | | | | | |
| 13-13 | | | | | | | | | | | | | | | | | |
| 14-14 | | | | | | | | | | | | | | | | | |
| 14-14 | | | | | | | | | | | | | | | | | |
| 17-11 | | | | | | | | | | | | | | | | | |
| ● 玉野商工 | 70 | <table border="1"><tr><td>13-26</td></tr><tr><td>15-18</td></tr><tr><td>21-15</td></tr><tr><td>21-23</td></tr></table> | 13-26 | 15-18 | 21-15 | 21-23 | 82 | 岡山芳泉 ○ | ● 岡山朝日 | 47 | <table border="1"><tr><td>14-14</td></tr><tr><td>13-8</td></tr><tr><td>8-17</td></tr><tr><td>12-14</td></tr></table> | 14-14 | 13-8 | 8-17 | 12-14 | 53 | 明誠学院 ○ |
| 13-26 | | | | | | | | | | | | | | | | | |
| 15-18 | | | | | | | | | | | | | | | | | |
| 21-15 | | | | | | | | | | | | | | | | | |
| 21-23 | | | | | | | | | | | | | | | | | |
| 14-14 | | | | | | | | | | | | | | | | | |
| 13-8 | | | | | | | | | | | | | | | | | |
| 8-17 | | | | | | | | | | | | | | | | | |
| 12-14 | | | | | | | | | | | | | | | | | |
| ● 津山工業 | 61 | <table border="1"><tr><td>15-19</td></tr><tr><td>15-23</td></tr><tr><td>21-25</td></tr><tr><td>10-21</td></tr></table> | 15-19 | 15-23 | 21-25 | 10-21 | 88 | 岡山城東 ○ | ● 倉敷商業 | 53 | <table border="1"><tr><td>6-19</td></tr><tr><td>19-16</td></tr><tr><td>20-11</td></tr><tr><td>8-17</td></tr></table> | 6-19 | 19-16 | 20-11 | 8-17 | 63 | 倉敷工業 ○ |
| 15-19 | | | | | | | | | | | | | | | | | |
| 15-23 | | | | | | | | | | | | | | | | | |
| 21-25 | | | | | | | | | | | | | | | | | |
| 10-21 | | | | | | | | | | | | | | | | | |
| 6-19 | | | | | | | | | | | | | | | | | |
| 19-16 | | | | | | | | | | | | | | | | | |
| 20-11 | | | | | | | | | | | | | | | | | |
| 8-17 | | | | | | | | | | | | | | | | | |
| ● 津山高専 | 60 | <table border="1"><tr><td>10-26</td></tr><tr><td>14-17</td></tr><tr><td>18-16</td></tr><tr><td>18-13</td></tr></table> | 10-26 | 14-17 | 18-16 | 18-13 | 72 | 東岡山工業 ○ | ○ 岡山操山 | 71 | <table border="1"><tr><td>14-14</td></tr><tr><td>13-18</td></tr><tr><td>25-14</td></tr><tr><td>19-18</td></tr></table> | 14-14 | 13-18 | 25-14 | 19-18 | 64 | 岡山龍谷 ● |
| 10-26 | | | | | | | | | | | | | | | | | |
| 14-17 | | | | | | | | | | | | | | | | | |
| 18-16 | | | | | | | | | | | | | | | | | |
| 18-13 | | | | | | | | | | | | | | | | | |
| 14-14 | | | | | | | | | | | | | | | | | |
| 13-18 | | | | | | | | | | | | | | | | | |
| 25-14 | | | | | | | | | | | | | | | | | |
| 19-18 | | | | | | | | | | | | | | | | | |

< 5 回 戦 >

| | | | | | | | | | | | | | | | | |
|---------|-----|---|---------|---------|---------|---------|----|----------------|----|--|---------|--------|---------|---------|-----|---------|
| ○ 岡山工業 | 85 | <table border="1"> <tr><td>16 - 24</td></tr> <tr><td>14 - 19</td></tr> <tr><td>22 - 10</td></tr> <tr><td>33 - 22</td></tr> </table> | 16 - 24 | 14 - 19 | 22 - 10 | 33 - 22 | 75 | 玉野光南 ● ● 総社 | 28 | <table border="1"> <tr><td>4 - 28</td></tr> <tr><td>5 - 27</td></tr> <tr><td>9 - 33</td></tr> <tr><td>10 - 19</td></tr> </table> | 4 - 28 | 5 - 27 | 9 - 33 | 10 - 19 | 107 | 岡山学芸館 ○ |
| 16 - 24 | | | | | | | | | | | | | | | | |
| 14 - 19 | | | | | | | | | | | | | | | | |
| 22 - 10 | | | | | | | | | | | | | | | | |
| 33 - 22 | | | | | | | | | | | | | | | | |
| 4 - 28 | | | | | | | | | | | | | | | | |
| 5 - 27 | | | | | | | | | | | | | | | | |
| 9 - 33 | | | | | | | | | | | | | | | | |
| 10 - 19 | | | | | | | | | | | | | | | | |
| ○ 倉敷青陵 | 66 | <table border="1"> <tr><td>14 - 13</td></tr> <tr><td>17 - 13</td></tr> <tr><td>22 - 15</td></tr> <tr><td>13 - 10</td></tr> </table> | 14 - 13 | 17 - 13 | 22 - 15 | 13 - 10 | 51 | 岡山芳泉 ● ● 明誠学院 | 32 | <table border="1"> <tr><td>11 - 30</td></tr> <tr><td>2 - 29</td></tr> <tr><td>9 - 27</td></tr> <tr><td>10 - 32</td></tr> </table> | 11 - 30 | 2 - 29 | 9 - 27 | 10 - 32 | 118 | 作陽 ○ |
| 14 - 13 | | | | | | | | | | | | | | | | |
| 17 - 13 | | | | | | | | | | | | | | | | |
| 22 - 15 | | | | | | | | | | | | | | | | |
| 13 - 10 | | | | | | | | | | | | | | | | |
| 11 - 30 | | | | | | | | | | | | | | | | |
| 2 - 29 | | | | | | | | | | | | | | | | |
| 9 - 27 | | | | | | | | | | | | | | | | |
| 10 - 32 | | | | | | | | | | | | | | | | |
| ○ 理大附属 | 121 | <table border="1"> <tr><td>33 - 16</td></tr> <tr><td>31 - 15</td></tr> <tr><td>36 - 14</td></tr> <tr><td>21 - 13</td></tr> </table> | 33 - 16 | 31 - 15 | 36 - 14 | 21 - 13 | 58 | 岡山城東 ● ● 倉敷工業 | 34 | <table border="1"> <tr><td>9 - 26</td></tr> <tr><td>8 - 35</td></tr> <tr><td>11 - 27</td></tr> <tr><td>6 - 33</td></tr> </table> | 9 - 26 | 8 - 35 | 11 - 27 | 6 - 33 | 121 | 関西 ○ |
| 33 - 16 | | | | | | | | | | | | | | | | |
| 31 - 15 | | | | | | | | | | | | | | | | |
| 36 - 14 | | | | | | | | | | | | | | | | |
| 21 - 13 | | | | | | | | | | | | | | | | |
| 9 - 26 | | | | | | | | | | | | | | | | |
| 8 - 35 | | | | | | | | | | | | | | | | |
| 11 - 27 | | | | | | | | | | | | | | | | |
| 6 - 33 | | | | | | | | | | | | | | | | |
| ○ 金光学園 | 68 | <table border="1"> <tr><td>19 - 20</td></tr> <tr><td>15 - 11</td></tr> <tr><td>19 - 19</td></tr> <tr><td>15 - 10</td></tr> </table> | 19 - 20 | 15 - 11 | 19 - 19 | 15 - 10 | 60 | 東岡山工業 ● ● 岡山操山 | 49 | <table border="1"> <tr><td>12 - 41</td></tr> <tr><td>5 - 39</td></tr> <tr><td>12 - 35</td></tr> <tr><td>20 - 33</td></tr> </table> | 12 - 41 | 5 - 39 | 12 - 35 | 20 - 33 | 148 | 商大附属 ○ |
| 19 - 20 | | | | | | | | | | | | | | | | |
| 15 - 11 | | | | | | | | | | | | | | | | |
| 19 - 19 | | | | | | | | | | | | | | | | |
| 15 - 10 | | | | | | | | | | | | | | | | |
| 12 - 41 | | | | | | | | | | | | | | | | |
| 5 - 39 | | | | | | | | | | | | | | | | |
| 12 - 35 | | | | | | | | | | | | | | | | |
| 20 - 33 | | | | | | | | | | | | | | | | |

< 準々決勝 >

| | | | | | | | | | | | | | | | | |
|---------|----|---|---------|---------|---------|---------|----|----------------|----|---|---------|---------|---------|---------|-----|--------|
| ○ 岡山工業 | 96 | <table border="1"> <tr><td>33 - 11</td></tr> <tr><td>20 - 20</td></tr> <tr><td>24 - 24</td></tr> <tr><td>19 - 19</td></tr> </table> | 33 - 11 | 20 - 20 | 24 - 24 | 19 - 19 | 74 | 岡山学芸館 ● ● 倉敷青陵 | 59 | <table border="1"> <tr><td>17 - 15</td></tr> <tr><td>17 - 15</td></tr> <tr><td>13 - 21</td></tr> <tr><td>12 - 20</td></tr> </table> | 17 - 15 | 17 - 15 | 13 - 21 | 12 - 20 | 71 | 作陽 ○ |
| 33 - 11 | | | | | | | | | | | | | | | | |
| 20 - 20 | | | | | | | | | | | | | | | | |
| 24 - 24 | | | | | | | | | | | | | | | | |
| 19 - 19 | | | | | | | | | | | | | | | | |
| 17 - 15 | | | | | | | | | | | | | | | | |
| 17 - 15 | | | | | | | | | | | | | | | | |
| 13 - 21 | | | | | | | | | | | | | | | | |
| 12 - 20 | | | | | | | | | | | | | | | | |
| ● 理大附属 | 76 | <table border="1"> <tr><td>27 - 20</td></tr> <tr><td>15 - 24</td></tr> <tr><td>23 - 19</td></tr> <tr><td>11 - 20</td></tr> </table> | 27 - 20 | 15 - 24 | 23 - 19 | 11 - 20 | 83 | 関西 ○ ● 金光学園 | 49 | <table border="1"> <tr><td>11 - 30</td></tr> <tr><td>12 - 35</td></tr> <tr><td>11 - 32</td></tr> <tr><td>15 - 39</td></tr> </table> | 11 - 30 | 12 - 35 | 11 - 32 | 15 - 39 | 136 | 商大附属 ○ |
| 27 - 20 | | | | | | | | | | | | | | | | |
| 15 - 24 | | | | | | | | | | | | | | | | |
| 23 - 19 | | | | | | | | | | | | | | | | |
| 11 - 20 | | | | | | | | | | | | | | | | |
| 11 - 30 | | | | | | | | | | | | | | | | |
| 12 - 35 | | | | | | | | | | | | | | | | |
| 11 - 32 | | | | | | | | | | | | | | | | |
| 15 - 39 | | | | | | | | | | | | | | | | |

< 準決勝 >

| | | | | | | | | | | | | | | | | |
|---------|----|---|---------|---------|---------|---------|----|-----------|----|---|---------|---------|---------|---------|----|--------|
| ○ 岡山工業 | 87 | <table border="1"> <tr><td>30 - 26</td></tr> <tr><td>14 - 12</td></tr> <tr><td>17 - 15</td></tr> <tr><td>26 - 28</td></tr> </table> | 30 - 26 | 14 - 12 | 17 - 15 | 26 - 28 | 81 | 作陽 ● ○ 関西 | 76 | <table border="1"> <tr><td>15 - 25</td></tr> <tr><td>20 - 13</td></tr> <tr><td>22 - 10</td></tr> <tr><td>19 - 19</td></tr> </table> | 15 - 25 | 20 - 13 | 22 - 10 | 19 - 19 | 67 | 商大附属 ● |
| 30 - 26 | | | | | | | | | | | | | | | | |
| 14 - 12 | | | | | | | | | | | | | | | | |
| 17 - 15 | | | | | | | | | | | | | | | | |
| 26 - 28 | | | | | | | | | | | | | | | | |
| 15 - 25 | | | | | | | | | | | | | | | | |
| 20 - 13 | | | | | | | | | | | | | | | | |
| 22 - 10 | | | | | | | | | | | | | | | | |
| 19 - 19 | | | | | | | | | | | | | | | | |

< 決 勝 >

| | | | | | | | | |
|---------|----|---|---------|---------|---------|---------|----|------|
| ● 岡山工業 | 84 | <table border="1"> <tr><td>22 - 25</td></tr> <tr><td>12 - 21</td></tr> <tr><td>15 - 20</td></tr> <tr><td>35 - 25</td></tr> </table> | 22 - 25 | 12 - 21 | 15 - 20 | 35 - 25 | 91 | 関西 ○ |
| 22 - 25 | | | | | | | | |
| 12 - 21 | | | | | | | | |
| 15 - 20 | | | | | | | | |
| 35 - 25 | | | | | | | | |

ウインターカップ2022

令和4年度 第75回全国高等学校バスケットボール選手権大会 岡山県予選会

| | | | | |
|-----------|------------|---|----|-----------|
| 日時 | 2022年11月6日 | 12:00 | 男子 | 決勝 |
| 会場名 | 笠岡総合体育館 | | | Mコート 第Ⅱ試合 |
| ● 岡山工業 84 | | $\left. \begin{array}{l} 22 - 25 \\ 12 - 21 \\ 15 - 20 \\ 35 - 25 \end{array} \right\}$ | | 91 関西 ○ |

| 審判名 | クルーチーフ | 大嶋 将之 | | | | | 1stアンパイア | 柏木 琢磨 | 2ndアンパイア | | 菅野 嵩大 | | |
|-------------|--------|-------|-------|-------|--------|------|-----------|-------|----------|-------|-------|--------|------|
| 選手名 | 背番号 | 得点 | 3ポイント | 2ポイント | フリースロー | ファウル | 選手名 | 背番号 | 得点 | 3ポイント | 2ポイント | フリースロー | ファウル |
| 中矢 匠紀 (C) * | 4 | 37 | 1 | 14 | 6 | 1 | 加納 圭翔 (C) | 3 | - | | | | |
| 東 龍一 | 5 | - | | | | | 守安 大地 | 8 | - | | | | |
| 徳田 舜 * | 6 | 4 | | 1 | 2 | 3 | 森本 唯斗 | 10 | - | | | | |
| 守谷 祥吾 | 7 | 8 | | 4 | | | 渡邊 騎士 | 11 | - | | | | |
| 西原 圭大 | 8 | - | | | | | 黒川 陸斗 | 12 | 3 | 1 | | | 1 |
| 金井 宥之祐 | 9 | - | | | | | 齋藤 晴 * | 13 | 26 | 1 | 10 | 3 | 3 |
| 小原 拓人 * | 10 | 10 | | 5 | | 2 | 多田 歩 | 20 | 11 | | 5 | 1 | 2 |
| 浅野 健志 | 11 | 9 | | 4 | 1 | 2 | 難波 良多 | 21 | - | | | | |
| 池野 恵太郎 * | 12 | 16 | 4 | 1 | 2 | 4 | 青井 悠生 * | 24 | 0 | | | | |
| 大井 教提 * | 13 | 0 | | | | 2 | 渡邊 紘斗 | 25 | 7 | | 3 | 1 | 4 |
| 才田 惺也 | 14 | - | | | | | 肥塚 怜 * | 30 | 18 | 3 | 3 | 3 | 3 |
| 正富 颯空 | 15 | - | | | | | 山下 志希 | 32 | - | | | | |
| 筒井 優大 | 16 | - | | | | | 小田 智己 * | 45 | 21 | | 9 | 3 | |
| 藤村 洋希 | 17 | - | | | | | 大山 竜生 | 69 | - | | | | |
| 青木 琉海 | 18 | - | | | | | 相井 誠太 * | 88 | 5 | 1 | 1 | | 2 |
| 合計 | | 84 | 5 | 29 | 11 | 14 | 合計 | | 91 | 6 | 31 | 11 | 15 |

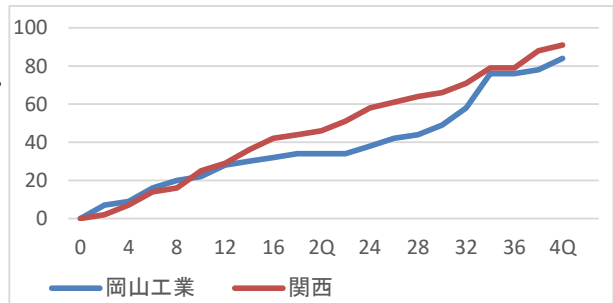
戦評

1Q 両校ともマンツーマンディフェンスでスタート。立ち上がり岡工は④の3Pやスティールからの速攻で得点を重ね、関西は⑬のインサイドで応戦する。岡工は速い展開の中から④が立て続けに得点し岡工9-2関西となる。流れを変えたい関西は⑮のドライブインや#88の3Pで反撃を試みるが、岡工は④、⑫の個人技で得点し流れを譲らない。残り5分、岡工13-9関西の場面で、関西は⑩から⑬へのゴール下の合わせや⑬の3Pで逆転に成功する。その後は両校とも速攻での得点により一進一退の攻防を演じ、残り1分で岡工22-20関西となる。リードをして2Qを迎えたい関西は⑫の3Pや⑩の果敢なドライブインから獲得したフリースローにより得点し、岡工22-25関西で1Qを終える。

2Q 両チーム引き続きマンツーマンディフェンスでスタート。開始早々岡工⑩がジャンプシュートを沈める。スピードで攻める岡工は④、⑥がドライブで持ち込み点数を重ねる。関西も④→⑬のアリウープを決め、開始2分岡工28-29関西とする。関西は⑩のボール運びからドライブへの合わせで得点を立て続けに奪う。岡工も果敢にドライブを仕掛けるが、関西の固いディフェンスに苦しい時間帯が続く。残り6分を前に岡工前半最初のタイムアウト。流れを変えたい岡工だが、関西は⑫→④のアリウープ、⑩のレイアップなどで勢いに乗る。苦しい岡工はディフェンスの強度を上げ、⑩が#88のオフenseファウルを誘う。両者一歩も引かず、岡工34-46関西で2Q終了。

3Q 後半開始は関西ボールからスタート。関西④がいきなりドライブからバスケットカウントで3点プレイを決め、前半の勢いを継続させる。その後も関西⑬、⑩の連続得点で一気に差を20点に広げる。岡工は点差を縮めようとオールコートマンツーマンを仕掛ける。すると岡工④の鋭いスティールで得点し、関西は勢いを渡すまいとタイムアウトをとる。その後も関西⑩の3P、岡工⑫の3Pで応戦し岡工41-61と関西が大量リードの展開が続く。岡工は状況を打開しようと⑫を投入し、3Pを狙いにかかる。すると、岡工④のジャンプシュート、⑫が3Pを成功させ、点差を一気に詰める。その後も岡工は3Pを中心に、関西はカウンター速攻を中心に得点を重ね、岡工49-66関西とし、勝負の4Qへ望みをかける。

4Q開始早々岡工のペースに。④のドライブ、⑩のリバウンドからのゴール下のシュートで4連続ポイントをとったところで関西は開始37秒というタイミングでタイムアウトをとる。その後も岡工は猛追し⑫の3Pやドライブなどで得点を一気に縮める。6ポイントを一気に取られ点差が5点差となり関西は3回目のタイムアウトを取らざるを得なくなる。タイムアウト後は両チームとも得点を重ねていき関西はシュート後のリバウンドボールを⑩がタップでねじ込み、さらに④が落ち着いてシュートを決める。対する岡工は積極的に前からプレッシャーをかけ関西のミスを誘いターンオーバーからシュートを放つ。一進一退の攻防が続くこの日最小点差の3点差まで岡工が詰め寄る。その後は関西が岡工を引き離しにかかり残り1分25秒となったところで岡工が1回目のタイムアウトをとる。タイムアウト後、岡工④、⑥のドライブで得点するも関西の流れを止めることはできず岡工84-91関西で試合終了。関西は2年連続2回目のウインターカップ出場を決めた。



【 女 子 】

< 1 回 戦 >

| | | | | | | | | | |
|--------|-----|---|-----|---------|--------|-----|---|----|--------|
| ○ 玉島商業 | 43 | 9 - 10 8 - 6 17 - 8 9 - 2 | 26 | 岡山大安寺 ● | ○ 津山 | 63 | 12 - 6 14 - 22 15 - 15 22 - 10 | 53 | 津山高専 ● |
| ● 玉野 | 38 | 6 - 14 12 - 10 18 - 8 2 - 16 | 48 | 高松農業 ○ | ○ 岡山朝日 | 72 | 23 - 3 16 - 9 14 - 10 19 - 9 | 31 | 笠岡 ● |
| ● 玉島 | 18 | 2 - 24 3 - 23 5 - 41 8 - 28 | 116 | 興陽 ○ | ● 倉敷鷺羽 | 44 | 11 - 15 7 - 20 17 - 18 9 - 23 | 76 | 倉敷中央 ○ |
| ○ 岡山操山 | 51 | 19 - 6 12 - 12 2 - 6 18 - 14 | 38 | 矢掛 ● | ● 邑久 | 30 | 2 - 23 7 - 16 8 - 18 13 - 22 | 79 | 総社南 ○ |
| ○ 倉敷南 | 126 | 38 - 0 22 - 4 37 - 9 29 - 8 | 21 | 瀬戸 ● | ○ 美作 | 20 | - - - - | 0 | 倉敷天城 ● |
| ● 津山東 | 39 | 11 - 18 6 - 19 14 - 17 8 - 22 | 76 | 金光学園 ○ | ● 井原 | 37 | 4 - 20 9 - 21 10 - 24 14 - 13 | 78 | 備前緑陽 ○ |
| ● 新見 | 58 | 26 - 12 12 - 13 14 - 9 6 - 31 | 65 | 笠岡商業 ○ | ○ 津山商業 | 156 | 29 - 4 25 - 5 53 - 3 49 - 5 | 17 | 高梁 ● |
| ● 勝山 | 44 | 2 - 13 15 - 20 11 - 14 16 - 12 | 59 | 西大寺 ○ | ○ 岡山龍谷 | 126 | 32 - 7 32 - 7 34 - 6 28 - 10 | 30 | 林野 ● |

< 2 回 戦 >

| | | | | | | | | | |
|--------|----|---|----|--------|--------|----|--|----|--------|
| ● 玉島商業 | 50 | 12 - 28 18 - 22 13 - 18 7 - 20 | 88 | 津山 ○ | ○ 高松農業 | 45 | 7 - 10 15 - 11 11 - 10 12 - 12 | 43 | 岡山朝日 ● |
| ● 興陽 | 49 | 13 - 12 13 - 17 14 - 19 9 - 12 | 60 | 倉敷中央 ○ | ● 岡山操山 | 37 | 9 - 14 12 - 19 4 - 21 12 - 16 | 70 | 総社南 ○ |
| ○ 倉敷南 | 60 | 6 - 14 18 - 9 15 - 11 21 - 14 | 48 | 美作 ● | ○ 金光学園 | 78 | 16 - 12 16 - 10 25 - 13 21 - 19 | 54 | 備前緑陽 ● |
| ● 笠岡商業 | 53 | 14 - 20 7 - 15 22 - 11 10 - 14 | 60 | 津山商業 ○ | ○ 西大寺 | 93 | 21 - 12 16 - 9 25 - 13 31 - 16 | 50 | 岡山龍谷 ● |

< 3 回 戦 >

| | | | | | | | | | | | | | | | | | | |
|--------|----|--|-------|-------|-------|-------|-----|--------|---|-------|-----|--|-------|-------|-------|-------|----|--------|
| ● 津山 | 65 | <table border="1"><tr><td>16-16</td></tr><tr><td>11-20</td></tr><tr><td>19-24</td></tr><tr><td>19-20</td></tr></table> | 16-16 | 11-20 | 19-24 | 19-20 | 80 | 岡山芳泉 ○ | ○ | 岡山一宮 | 100 | <table border="1"><tr><td>19-10</td></tr><tr><td>37-5</td></tr><tr><td>19-13</td></tr><tr><td>25-12</td></tr></table> | 19-10 | 37-5 | 19-13 | 25-12 | 40 | 高松農業 ● |
| 16-16 | | | | | | | | | | | | | | | | | | |
| 11-20 | | | | | | | | | | | | | | | | | | |
| 19-24 | | | | | | | | | | | | | | | | | | |
| 19-20 | | | | | | | | | | | | | | | | | | |
| 19-10 | | | | | | | | | | | | | | | | | | |
| 37-5 | | | | | | | | | | | | | | | | | | |
| 19-13 | | | | | | | | | | | | | | | | | | |
| 25-12 | | | | | | | | | | | | | | | | | | |
| ○ 倉敷中央 | 57 | <table border="1"><tr><td>6-13</td></tr><tr><td>26-4</td></tr><tr><td>17-20</td></tr><tr><td>8-14</td></tr></table> | 6-13 | 26-4 | 17-20 | 8-14 | 51 | 岡山南 ● | ● | 総社 | 45 | <table border="1"><tr><td>13-25</td></tr><tr><td>7-11</td></tr><tr><td>10-15</td></tr><tr><td>15-21</td></tr></table> | 13-25 | 7-11 | 10-15 | 15-21 | 72 | 総社南 ○ |
| 6-13 | | | | | | | | | | | | | | | | | | |
| 26-4 | | | | | | | | | | | | | | | | | | |
| 17-20 | | | | | | | | | | | | | | | | | | |
| 8-14 | | | | | | | | | | | | | | | | | | |
| 13-25 | | | | | | | | | | | | | | | | | | |
| 7-11 | | | | | | | | | | | | | | | | | | |
| 10-15 | | | | | | | | | | | | | | | | | | |
| 15-21 | | | | | | | | | | | | | | | | | | |
| ● 倉敷南 | 41 | <table border="1"><tr><td>6-27</td></tr><tr><td>13-17</td></tr><tr><td>6-22</td></tr><tr><td>16-29</td></tr></table> | 6-27 | 13-17 | 6-22 | 16-29 | 95 | 玉野光南 ○ | ● | 倉敷古城池 | 57 | <table border="1"><tr><td>12-16</td></tr><tr><td>18-15</td></tr><tr><td>17-23</td></tr><tr><td>10-27</td></tr></table> | 12-16 | 18-15 | 17-23 | 10-27 | 81 | 金光学園 ○ |
| 6-27 | | | | | | | | | | | | | | | | | | |
| 13-17 | | | | | | | | | | | | | | | | | | |
| 6-22 | | | | | | | | | | | | | | | | | | |
| 16-29 | | | | | | | | | | | | | | | | | | |
| 12-16 | | | | | | | | | | | | | | | | | | |
| 18-15 | | | | | | | | | | | | | | | | | | |
| 17-23 | | | | | | | | | | | | | | | | | | |
| 10-27 | | | | | | | | | | | | | | | | | | |
| ● 津山商業 | 47 | <table border="1"><tr><td>13-29</td></tr><tr><td>11-30</td></tr><tr><td>6-17</td></tr><tr><td>17-25</td></tr></table> | 13-29 | 11-30 | 6-17 | 17-25 | 101 | 創志学園 ○ | ○ | 岡山学芸館 | 150 | <table border="1"><tr><td>40-9</td></tr><tr><td>34-5</td></tr><tr><td>40-6</td></tr><tr><td>36-3</td></tr></table> | 40-9 | 34-5 | 40-6 | 36-3 | 23 | 西大寺 ● |
| 13-29 | | | | | | | | | | | | | | | | | | |
| 11-30 | | | | | | | | | | | | | | | | | | |
| 6-17 | | | | | | | | | | | | | | | | | | |
| 17-25 | | | | | | | | | | | | | | | | | | |
| 40-9 | | | | | | | | | | | | | | | | | | |
| 34-5 | | | | | | | | | | | | | | | | | | |
| 40-6 | | | | | | | | | | | | | | | | | | |
| 36-3 | | | | | | | | | | | | | | | | | | |

< 4 回 戦 >

| | | | | | | | | | | | | | | | | | | |
|---------|-----|---|------|-------|-------|-------|-----|--------|---|-------|----|--|-------|-------|-------|-------|-----|--------|
| ○ 倉敷翠松 | 133 | <table border="1"><tr><td>43-2</td></tr><tr><td>33-3</td></tr><tr><td>27-9</td></tr><tr><td>30-2</td></tr></table> | 43-2 | 33-3 | 27-9 | 30-2 | 16 | 岡山芳泉 ● | ● | 岡山一宮 | 39 | <table border="1"><tr><td>10-23</td></tr><tr><td>13-14</td></tr><tr><td>7-19</td></tr><tr><td>9-23</td></tr></table> | 10-23 | 13-14 | 7-19 | 9-23 | 79 | 倉敷青陵 ○ |
| 43-2 | | | | | | | | | | | | | | | | | | |
| 33-3 | | | | | | | | | | | | | | | | | | |
| 27-9 | | | | | | | | | | | | | | | | | | |
| 30-2 | | | | | | | | | | | | | | | | | | |
| 10-23 | | | | | | | | | | | | | | | | | | |
| 13-14 | | | | | | | | | | | | | | | | | | |
| 7-19 | | | | | | | | | | | | | | | | | | |
| 9-23 | | | | | | | | | | | | | | | | | | |
| ○ 岡山東商業 | 124 | <table border="1"><tr><td>34-7</td></tr><tr><td>32-13</td></tr><tr><td>39-1</td></tr><tr><td>19-10</td></tr></table> | 34-7 | 32-13 | 39-1 | 19-10 | 31 | 倉敷中央 ● | ● | 総社南 | 25 | <table border="1"><tr><td>10-29</td></tr><tr><td>3-27</td></tr><tr><td>2-26</td></tr><tr><td>10-27</td></tr></table> | 10-29 | 3-27 | 2-26 | 10-27 | 109 | 明誠学院 ○ |
| 34-7 | | | | | | | | | | | | | | | | | | |
| 32-13 | | | | | | | | | | | | | | | | | | |
| 39-1 | | | | | | | | | | | | | | | | | | |
| 19-10 | | | | | | | | | | | | | | | | | | |
| 10-29 | | | | | | | | | | | | | | | | | | |
| 3-27 | | | | | | | | | | | | | | | | | | |
| 2-26 | | | | | | | | | | | | | | | | | | |
| 10-27 | | | | | | | | | | | | | | | | | | |
| ○ 就実 | 86 | <table border="1"><tr><td>20-0</td></tr><tr><td>24-9</td></tr><tr><td>27-15</td></tr><tr><td>15-17</td></tr></table> | 20-0 | 24-9 | 27-15 | 15-17 | 41 | 玉野光南 ● | ● | 金光学園 | 48 | <table border="1"><tr><td>6-23</td></tr><tr><td>13-22</td></tr><tr><td>19-31</td></tr><tr><td>10-27</td></tr></table> | 6-23 | 13-22 | 19-31 | 10-27 | 103 | 倉敷商業 ○ |
| 20-0 | | | | | | | | | | | | | | | | | | |
| 24-9 | | | | | | | | | | | | | | | | | | |
| 27-15 | | | | | | | | | | | | | | | | | | |
| 15-17 | | | | | | | | | | | | | | | | | | |
| 6-23 | | | | | | | | | | | | | | | | | | |
| 13-22 | | | | | | | | | | | | | | | | | | |
| 19-31 | | | | | | | | | | | | | | | | | | |
| 10-27 | | | | | | | | | | | | | | | | | | |
| ● 岡山城東 | 51 | <table border="1"><tr><td>7-33</td></tr><tr><td>12-32</td></tr><tr><td>17-19</td></tr><tr><td>15-31</td></tr></table> | 7-33 | 12-32 | 17-19 | 15-31 | 115 | 創志学園 ○ | ● | 岡山学芸館 | 69 | <table border="1"><tr><td>11-33</td></tr><tr><td>20-16</td></tr><tr><td>18-18</td></tr><tr><td>20-19</td></tr></table> | 11-33 | 20-16 | 18-18 | 20-19 | 86 | 作陽 ○ |
| 7-33 | | | | | | | | | | | | | | | | | | |
| 12-32 | | | | | | | | | | | | | | | | | | |
| 17-19 | | | | | | | | | | | | | | | | | | |
| 15-31 | | | | | | | | | | | | | | | | | | |
| 11-33 | | | | | | | | | | | | | | | | | | |
| 20-16 | | | | | | | | | | | | | | | | | | |
| 18-18 | | | | | | | | | | | | | | | | | | |
| 20-19 | | | | | | | | | | | | | | | | | | |

< 準々決勝 >

| | | | | | | | | | | | | | | | | | | |
|--------|-----|--|-------|-------|-------|-------|----|--------|---|-------|----|--|-------|-------|-------|-------|-----|--------|
| ○ 倉敷翠松 | 83 | <table border="1"><tr><td>16-6</td></tr><tr><td>21-11</td></tr><tr><td>27-6</td></tr><tr><td>19-18</td></tr></table> | 16-6 | 21-11 | 27-6 | 19-18 | 41 | 倉敷青陵 ● | ● | 岡山東商業 | 58 | <table border="1"><tr><td>10-17</td></tr><tr><td>13-14</td></tr><tr><td>19-14</td></tr><tr><td>16-14</td></tr></table> | 10-17 | 13-14 | 19-14 | 16-14 | 59 | 明誠学院 ○ |
| 16-6 | | | | | | | | | | | | | | | | | | |
| 21-11 | | | | | | | | | | | | | | | | | | |
| 27-6 | | | | | | | | | | | | | | | | | | |
| 19-18 | | | | | | | | | | | | | | | | | | |
| 10-17 | | | | | | | | | | | | | | | | | | |
| 13-14 | | | | | | | | | | | | | | | | | | |
| 19-14 | | | | | | | | | | | | | | | | | | |
| 16-14 | | | | | | | | | | | | | | | | | | |
| ○ 就実 | 103 | <table border="1"><tr><td>27-16</td></tr><tr><td>30-12</td></tr><tr><td>34-10</td></tr><tr><td>12-12</td></tr></table> | 27-16 | 30-12 | 34-10 | 12-12 | 50 | 倉敷商業 ● | ● | 創志学園 | 68 | <table border="1"><tr><td>13-29</td></tr><tr><td>13-23</td></tr><tr><td>14-25</td></tr><tr><td>28-36</td></tr></table> | 13-29 | 13-23 | 14-25 | 28-36 | 113 | 作陽 ○ |
| 27-16 | | | | | | | | | | | | | | | | | | |
| 30-12 | | | | | | | | | | | | | | | | | | |
| 34-10 | | | | | | | | | | | | | | | | | | |
| 12-12 | | | | | | | | | | | | | | | | | | |
| 13-29 | | | | | | | | | | | | | | | | | | |
| 13-23 | | | | | | | | | | | | | | | | | | |
| 14-25 | | | | | | | | | | | | | | | | | | |
| 28-36 | | | | | | | | | | | | | | | | | | |

< 準決勝 >

| | | | | | | | | | | | | | | | | | | |
|--------|----|---|------|-------|-------|-------|----|--------|---|----|----|--|-------|-------|-------|-------|----|------|
| ○ 倉敷翠松 | 90 | <table border="1"><tr><td>28-8</td></tr><tr><td>18-14</td></tr><tr><td>23-12</td></tr><tr><td>21-17</td></tr></table> | 28-8 | 18-14 | 23-12 | 21-17 | 51 | 明誠学院 ● | ● | 就実 | 74 | <table border="1"><tr><td>29-10</td></tr><tr><td>13-38</td></tr><tr><td>14-14</td></tr><tr><td>18-20</td></tr></table> | 29-10 | 13-38 | 14-14 | 18-20 | 82 | 作陽 ○ |
| 28-8 | | | | | | | | | | | | | | | | | | |
| 18-14 | | | | | | | | | | | | | | | | | | |
| 23-12 | | | | | | | | | | | | | | | | | | |
| 21-17 | | | | | | | | | | | | | | | | | | |
| 29-10 | | | | | | | | | | | | | | | | | | |
| 13-38 | | | | | | | | | | | | | | | | | | |
| 14-14 | | | | | | | | | | | | | | | | | | |
| 18-20 | | | | | | | | | | | | | | | | | | |

< 決 勝 >

| | | | | | | | | |
|--------|----|---|------|-------|-------|-------|----|------|
| ○ 倉敷翠松 | 89 | <table border="1"><tr><td>29-8</td></tr><tr><td>15-18</td></tr><tr><td>19-15</td></tr><tr><td>26-18</td></tr></table> | 29-8 | 15-18 | 19-15 | 26-18 | 59 | 作陽 ● |
| 29-8 | | | | | | | | |
| 15-18 | | | | | | | | |
| 19-15 | | | | | | | | |
| 26-18 | | | | | | | | |

ウインターカップ2022

令和4年度 第75回全国高等学校バスケットボール選手権大会 岡山県予選会

| | | | | |
|-----|------------|-------|----|-----------|
| 日時 | 2022年11月6日 | 10:00 | 女子 | 決勝 |
| 会場名 | 笠岡総合体育館 | | | Mコート 第I試合 |

| | | | | | |
|--------|----|--|----|----|---|
| ○ 倉敷翠松 | 89 | $\left. \begin{array}{l} 29 - 8 \\ 15 - 18 \\ 19 - 15 \\ 26 - 18 \end{array} \right\}$ | 59 | 作陽 | ● |
|--------|----|--|----|----|---|

| 審判名 | クルーチーフ | 岸本 祥也 | | | | | 1stアンパイア | 中村 達哉 | | 2ndアンパイア | | 阿賀 文郁 | |
|-------------|--------|-------|-------|-------|--------|------|-------------|-------|----|----------|-------|--------|------|
| 選手名 | 背番号 | 得点 | 3ポイント | 2ポイント | フリースロー | ファウル | 選手名 | 背番号 | 得点 | 3ポイント | 2ポイント | フリースロー | ファウル |
| 野瀬 紗奈 (C) * | 4 | 13 | | 6 | 1 | 4 | 北村 新菜 * | 2 | 6 | | 2 | 2 | 1 |
| 丸山 優香 | 5 | 2 | | 1 | | | 小島 萌 | 3 | 0 | | | | 2 |
| 土家 梨愛 * | 6 | 16 | | 7 | 2 | 3 | 杉本 くるみ | 5 | - | | | | |
| 伏見 朋香 * | 7 | 9 | 1 | 3 | | | 森 詩菜 | 6 | 2 | | 1 | | 5 |
| 清水 咲菜 * | 8 | 0 | | | | | 堀尾 芽衣 (C) * | 7 | 5 | 1 | 1 | | 1 |
| 鳥尾 七彩 | 9 | 6 | | 2 | 2 | 1 | 畑田 玲奈 * | 8 | 9 | 3 | | | |
| 平尾 乃々子 | 10 | 0 | | | | | 柴田 姫那 * | 9 | 12 | 2 | 3 | | 1 |
| 村田 ひな | 11 | 0 | | | | | 小椋 聖彩 | 10 | - | | | | |
| 原田 涼風 | 12 | 0 | | | | | 岸本 莉奈 | 11 | - | | | | |
| 杉原 莓音 | 13 | 0 | | | | | 柴田 理奈 | 12 | - | | | | |
| 窪敷 理紗 | 14 | 4 | 1 | | 1 | 2 | 山本 歩実 | 14 | - | | | | |
| アイビトウ グレイス* | 15 | 37 | 1 | 15 | 4 | 3 | 太田 みや * | 15 | 16 | | 6 | 4 | 2 |
| 横路 由奈 | 16 | 0 | | | | | 江國 由夢 | 16 | 6 | | 2 | 2 | 5 |
| 廣川 絢音 | 17 | 2 | | | 2 | | 竹内 わかな | 18 | - | | | | |
| 鈴木 柑菜 | 18 | 0 | | | | | 岡西 悠羽 | 20 | 3 | 1 | | | 2 |
| 合計 | | 89 | 3 | 34 | 12 | 13 | 合計 | | 59 | 7 | 15 | 8 | 19 |

戦評

1Q 翠松⑮の高さに対して作陽は1-2-2のゾーンディフェンスで中を固め、対する翠松は1-2-1-1のゾーンプレスで互いにディフェンスで仕掛ける。翠松④の先制点から開始2分、作陽はマンツーマンディフェンスと2-2-1のゾーンディフェンスを使いわけが、開始6分、作陽のチームファウルが重なりフリースローが翠松に与えられる。残り2分、翠松⑮が⑰と交代し、作陽⑥がオフェンスリバウンドやスティールを繰り返したが、翠松は24秒間守り切るディフェンスを繰り返すなど、作陽に対して終始主導権を奪い、翠松29-8作陽で1Qを終える。2Q、開始早々に作陽が⑳と㉑の3Pで翠松29-14作陽と点差を縮める。ディフェンスでもプレッシャーを強める作陽に対し、翠松は⑰のドライブから⑮への合わせなどで得点するが、その後は両者とも得点が止まる。流れを変えたい翠松はタイムアウト後ディフェンスをマンツーマンへ変える。翠松は⑮のゴール下、作陽は⑩と⑥の2Pで得点し、翠松36-16作陽。両チームともメンバーチェンジの後、作陽⑨や②がドライブから翠松⑮の高さをかわす技ありのシュートで得点を重ねる一方で、翠松も⑥がミドルやドライブで得点する。終盤、作陽⑮がオフェンスリバウンドをもぎ取り獲得したフリースローを2本とも沈めたが、残り24秒で翠松⑦がドライブから得点し、翠松44-26作陽とし2Qを終える。

3Q 作陽はマンツーマンディフェンス、翠松は2-3のゾーンディフェンスでスタート。翠松は⑮のターンシュートや⑦のミドルシュートで得点を重ねていく。開始5分、作陽は②や⑩を起点にシュートチャンスを作っていく、オールコートディフェンスから相手のミス誘っていく。翠松は相手の激しいディフェンスによりミスが目立ちタイムアウト。タイムアウト明け翠松は⑥のドライブや⑦から⑨への合わせで得点を繋げるなど着実に点を重ねていく。対する作陽は⑮の連続得点で勢いをつけていくが、点差は縮まらず翠松63-41作陽で3Q終了。

4Q 差を詰めたい作陽は⑮が果敢に攻めチャンスを作ると、ディフェンスでもトラップを仕掛けて相手のミス誘うなど、立ち上がりからいいリズムに乗る。一方、翠松は⑮を中心に得点し追い上げを許さない。中盤には翠松のゾーンに対し、作陽⑩からの合わせを⑮や⑨の得点に繋げるなどゾーンをうまく攻略するが、翠松も⑮がファウルをもらいながらも3Pを沈めるビッグプレーで勢いづく。高さのある翠松に対し、最後まで作陽が平面の速さを活かして粘り強いディフェンスを見せるが、大きく差を詰めるには至らず、翠松89-59作陽で翠松が勝利し、3年連続18回目のウインターカップ出場を決めた。

